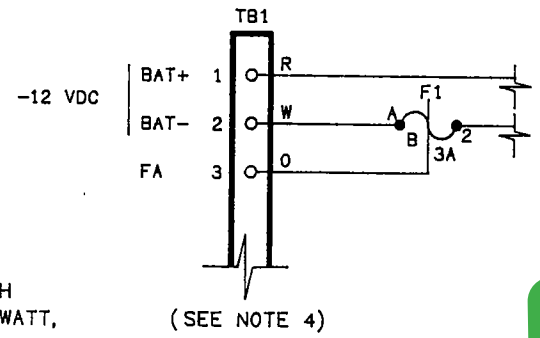


FIG A
POSITIVE GROUND



NOTES:

- | | CURRENT | PANEL WIDTH | ALARM CONTACTS |
|-----|---------|-------------|----------------|
| -53 | 400 | 19/23" | YES |
- ALL WIRES ARE 18 GA UNLESS SPECIFIED.
- ALARM CONTACTS ARE RATED 2 AMP RESISTIVE AT 12-24 VDC, 1 AMP AT 48 VDC AND 0.5 AMP 120 VDC.
- PANEL IS WIRED FOR A NEGATIVE GROUND SYSTEM. TO CONVERT THE PANEL TO A POSITIVE GROUND SYSTEM, WIRE THE PANEL AS SHOWN IN FIG. A.
- APPLY A "3 AMP" LABEL FOR FUSE "F1" ON FRONT OF PANEL, (202-3730-10).

6. THE PANEL USES ONE (1) CONTACTOR, (K1), WITH A SERIES DROPPING RESISTOR, (R1), 2 OHM 10 WATT, TO REDUCE COIL VOLTAGE.

ISSUES		
ISSUE	DESCRIPTION	APPROVE
1	ORIGINAL ISSUE, REPLACES DRAWING SD111-2740-03 & 53.	PKD/NMS 05-04-93
2	"F1" VALUE CHANGED FROM 5A TO 3A ADD NOTE 5 AND WIRE GAUGE, RE- VISED NOTE 2, 16 GA TO 18 GA. ALL PER KC706.	PKD 06-10-94
3	REPLACED "CR1" WITH "R1" & "K1/ SW1", PER JW975.	mr b CJW 5-31-95 mr b

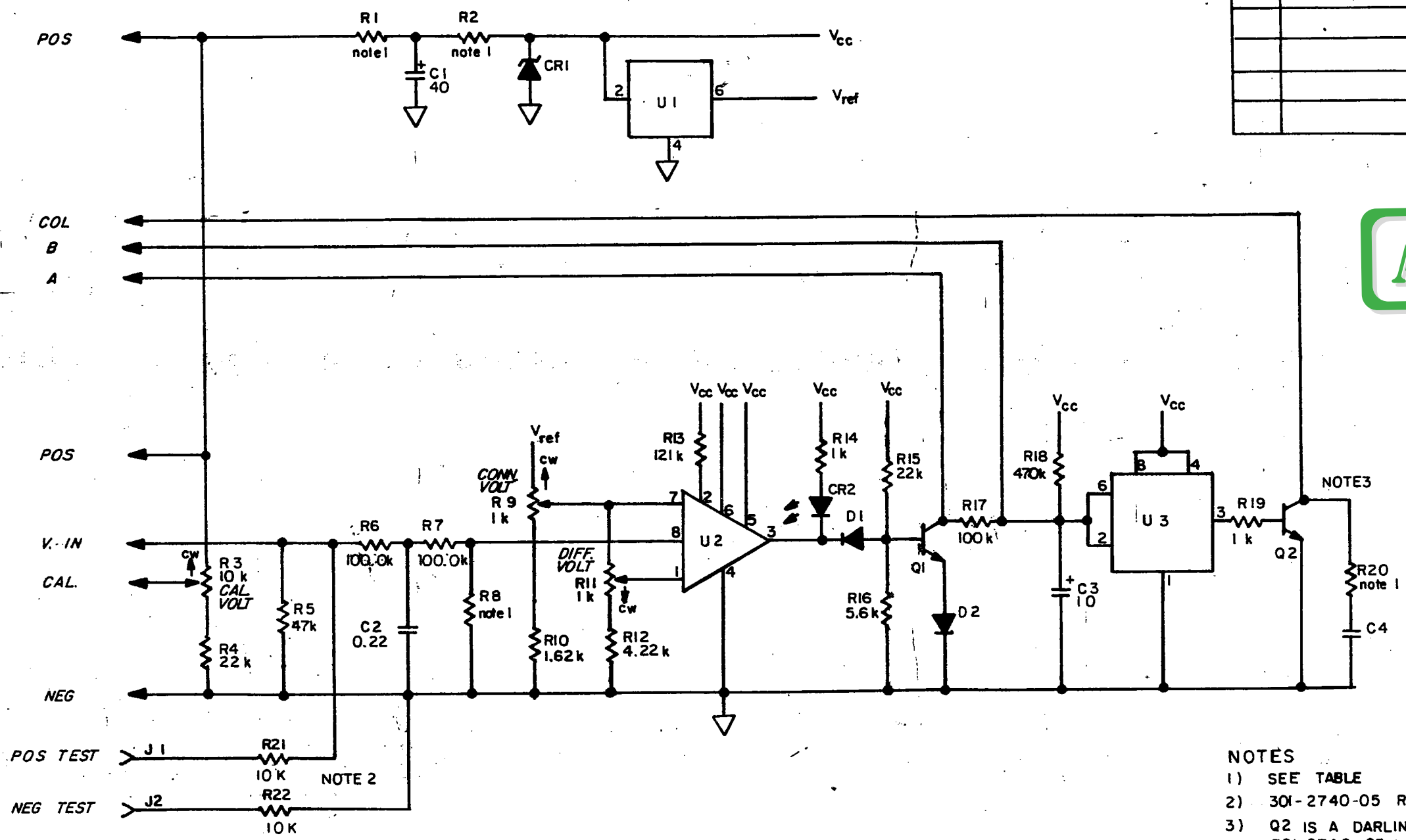


DOC TYPE/NUMBER
SD 111-2740-53

APPROVALS		DATE		
DRAWN MRB		04-19-94		
DESIGNED			LOW VOLTAGE DISCONNECT PANEL +12/-12 VDC	
SIZE	RATING	DOC TYPE / NUMBER		ISSUE
B	STANDARD	SD 111-2740-53		3
SCALE	DISTRIBUTION CODE	SHEET	FILE	
N/A	9W	1	I0002648	

REVISIONS			
REV.	DESCRIPTION	DATE	APPROVED
1	ADD DATA FOR -03 AND -05	4-10-86	BDH
2	CHG R21,22 FROM 1K TO 10K SAN	07-15-86	BW

APPROVED



- NOTES
- 1) SEE TABLE
 - 2) 301-2740-05 R21 AND R22 BECOME 47K 0.5W
 - 3) Q2 IS A DARLINGTON ON ALL VERSIONS EXCEPT THE 301-2740-05 (120) WHICH USES A F.E.T.

TABLE

-XX	VOLTAGE	R1	R2	R8	R20	CR1	Q2	C4
-01	12V	22 1W	22 1W	110K	4.7	8.2V 5W	RCA122	47 μfd 100V
-02	24V	150 2W	150 2W	41.2K	10	10V 5W	RCA122	47 μfd 100V
-03	32V	220 2W	220 1W	31.6K	22	10V 1W	RCA122	47 μfd 100V
-04	48V	400 5W	400 5W	20.0K	22	10V 1W	RCA122	47 μfd 100V
-05	120V	1K 10W	1K 10W	7.50K	22	10V 1W	BUZ-76A	40 μfd 250V

UNLESS OTHERWISE SPECIFIED
DIMENSIONS ARE IN INCHES
TOLERANCES ARE:
FRACTIONS DECIMALS ANGLES
± .XX ± .XXX ±

MATERIAL NA

FINISH NA

DO NOT SCALE DRAWING

CONTRACT NO.

APPROVALS DATE

DRAWN PKD 9-21-82

DESIGNED R HAZEN 9-22-82

CHECKED R HAZEN 9-22-82

ISSUED R HAZEN 9-22-82

CD TECHNOLOGIES, INC.
Power Solutions

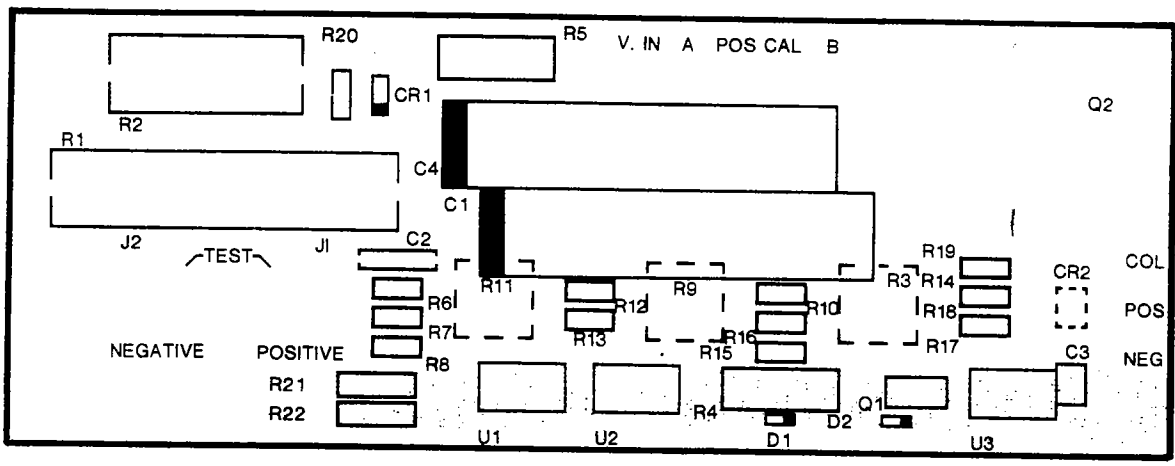
LOW VOLTAGE DISCONNECT RELAY DRIVER

SIZE B	FSCM NO.	DWG. NO. 301-2740-XX	REV. 2
SCALE NA	9M	SHEET 1 OF 2	

DWG. NO. 301-2740-XX SH 1

DWG. NO. 301-2740-XX SH 2

REVISIONS			
REV	DESCRIPTION	DATE	APPROVED



APPROVED

9M

UNLESS OTHERWISE SPECIFIED DIMENSIONS ARE IN INCHES TOLERANCES ARE: FRACTIONS DECIMALS ANGLES = .XX - .XXX -	CONTRACT NO.		CD TECHNOLOGIES, INC. Power Solutions		
	APPROVALS	DATE	LOW VOLTAGE DISCONNECT RELAY DRIVER		
MATERIAL NA	DRAWN PKD	9-28-82	SIZE A	FSCM NO.	DWG. NO. 301-2740-XX
FINISH NA	DESIGNED <i>R. HAZEN</i>	9-28-82	REV.		
NOT SCALE DRAWING	CHECKED <i>R. HAZEN</i>	9-28-82	SCALE 1 X		SHEET 2 OF 2
ISSUED <i>R. HAZEN</i>		9-28-82			