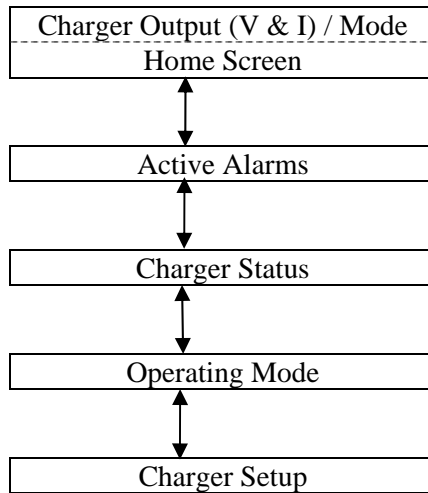


C&D Micro Charger Menu Tree 3/14/2007



Press UP or DN to move vertically.
Press SEL to move to the right.

Press ESC to cancel a selection or move to the left.

The **Active Alarms** screen will show all current alarms. If multiple alarms are present, their alarm descriptors will scroll through the screen. Viewing an alarm also acknowledges that alarm.

Press SEL at the **Charger Status** screen to view charger operating parameters; see Figure 4-2. Parameter values cannot be changed in this series of screens.

Press SEL at the **Operating Mode** screen to select float or equalization as the desired operating mode. This menu also contains a relay/lamp test function. See Figure 4-3. If password protection is enabled, only authorized personnel will be able to access these menus.

Press SEL at the **Charger Setup** screen to change charger setup; see Figure 4-4. If password protection is enabled, only authorized personnel will be able access setup menus.

Main Menu



All active alarms appear in the **Active Alarms** screen. Multiple alarms will scroll across the screen. A flashing Alarm LED indicates unacknowledged alarms. A steadily glowing LED indicates alarms are present and have been acknowledged. An alarm will remain in the **Active Alarms** screen until the event causing that alarm is cleared. Enabling password protection will not limit access to this screen.

To view active alarms:

1. At the **Home** screen, press DN until ACTIVE ALARMS appears. See Figure 4-1. A * No Alarms * message indicates that there are no active alarms. If alarms are present, the alarm descriptors will appear in, or automatically scroll through, the display and the Alarm LED will glow.



Alarm descriptors are: LVA (Low Voltage Alarm), HVA (High Voltage Alarm), HVSD (High Voltage Shutdown), NCA (No or Low Current Alarm), CL (Current Limit), GND+ (Ground fault to +), GND- (Ground fault to -), RECTF (Rectifier Fail), ACF (AC Fail), and EQ (Equalize).

C&D Micro Charger Menu Tree 3/14/2007

2. To return to the **Home** screen, press ESC.

Main Menu

Charger Status

Select Status Screens

Charger Model/Firmware Rev.

↕

View Setup

↕

Battery Temperature

↕

Temperature Compensation

↕

Periodic Equalize (F^{ware} 2.09)

↕

Ground Fault Detection

Parameter Screens

Float Setpoint
Equalize Setpoint
LVA Setpoint
HVA Setpoint
HVSD Setpoint
NCA Setpoint
CL Setpoint
Gnd Detect Setpoint
LVA Delay
HVA Delay
HVSD Delay
NCA Delay
CL Delay
Gnd+ Delay
Gnd- Delay
RFA Delay
ACF Alarm Delay
EQ Alarm Delay
Summary Alarm Delay
System Alarm Incl.
Summary Alarm Incl.

Note:
Parameter values are read-only in this series of menus

Main Menu

Operating Mode

Mode Screen

Equalize Mode Enable/Disable

↕

Relay/Lamp Test

C&D Micro Charger Menu Tree 3/14/2007

